

YQ SERIES (Power Entry Module Filters)



Features

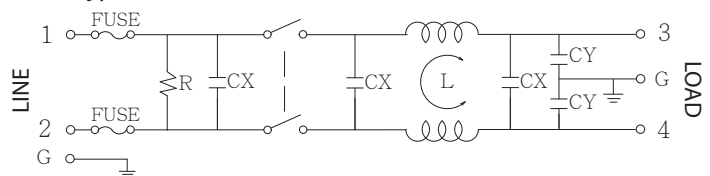
- Power entry model filters with an IEC inlet , a mains filter with dual- fuse holder and a 2-pole rocker switch.
- The rated current can be offered up to 10 amps.
- Fuses \varnothing 5 x 20 mm
- All parts are approved by VDE except YQ10A1
- Applications comprising Game-Player Machine, Test and measurement equipment , Medical equipment
- Custom-specific versions are available on request.

Technical Specification

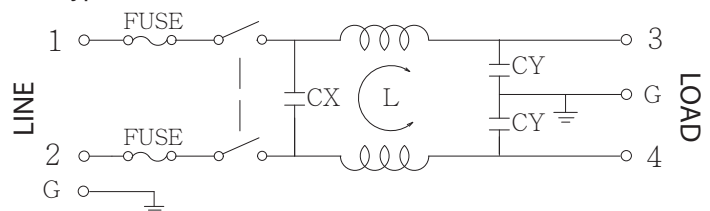
Rated voltage	125/250VAC
Rated currents	1 to 10A
Operating frequency	50/60Hz
Hipot rating(Line-to-line)	1450VDC
Hipot rating(Line-to-ground)	2250VDC
Operating temperature	-25~+85°C
Safety compliance	CE,1 to 6A (VDE)

Typical electrical schematic

1~6A type



10A type

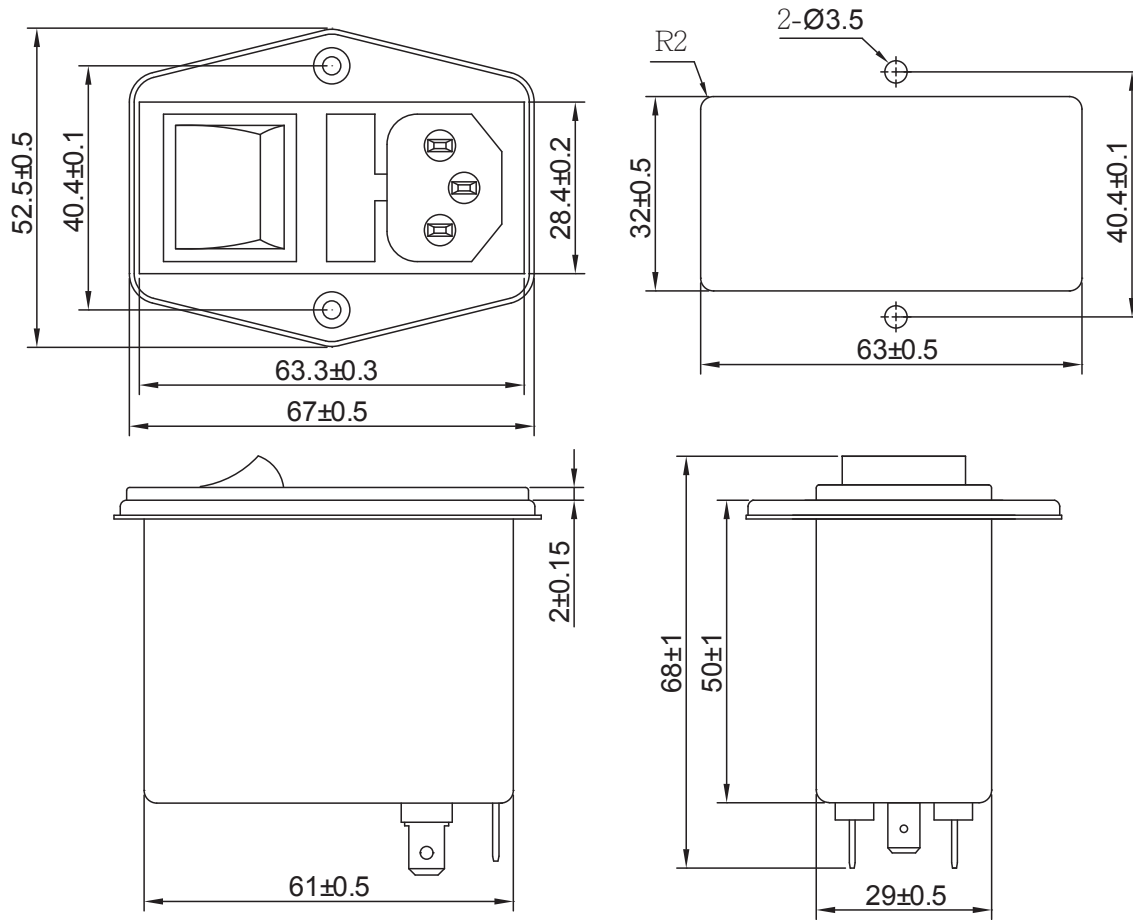


Filter Selection Table

Part No.	Rated Current (A)	Inductance L(mH)	Capacitance CX(μ F)	Capacitance CY(pF)	Resistance R(ohm)	Output connections
YQ01A1	1	10.5	0.22	2200	1M	6.3mm(0.8T) Fast-on terminal
YQ02A1	2	4.6	0.22	2200	1M	
YQ04A1	4	2.5	0.22	2200	1M	
YQ06A1	6	0.8	0.22	2200	1M	
YQ10A1	10	0.3	0.1	3300	-	

Physical Dimensions: (mm)

YQ



Typical filter attenuation (Common mode — Normal mode —)

