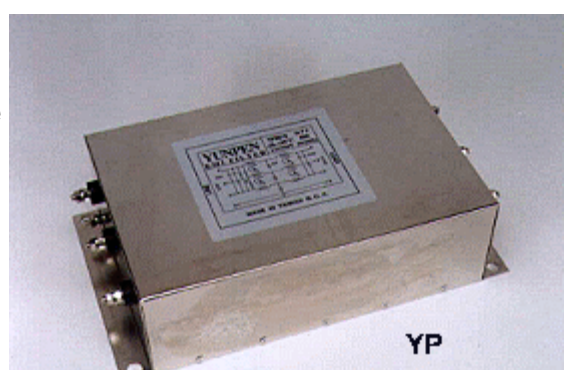


YUNPEN USA

YP-T8,T10,YP-T12 SERIES

1. FEATURES

- Good noise attenuation in both forward and reverse directions for common mode and normal mode.
- High reliability designed for industrial equipment usage with 3 phases, 500vac
- YP150T12 provided 4 wire (plus neutral)



2. SPECIFICATIONS

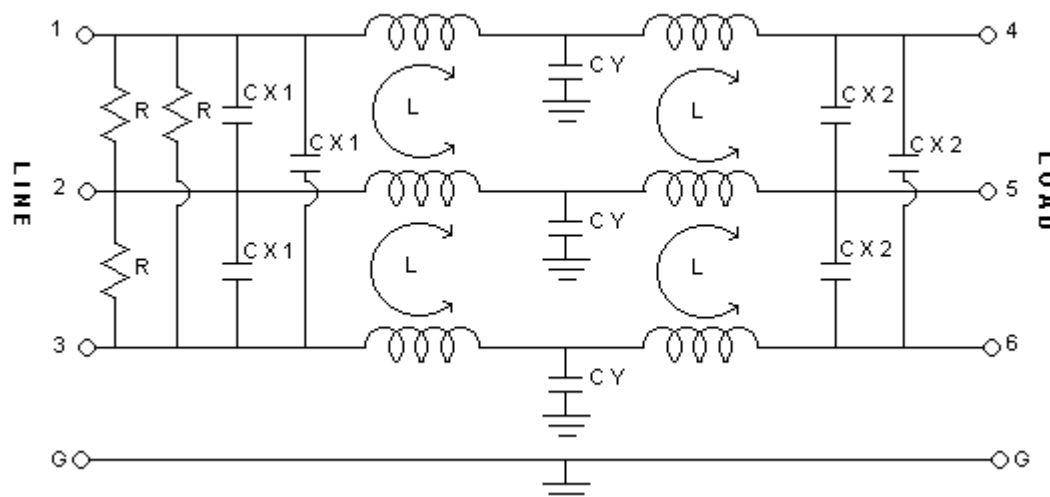
ITEM \ MODEL	YP60T8	YP80T10	YP100T10	YP150T12
RATED VOLTAGE	500V AC	500V AC	500V AC	500V AC
RATED CURRENT	60A	80A	100A	150A
LEAK CURRENT	82mA MAX 500V,50HZ	82mA MAX 500V,50HZ	82mA MAX 500V,50HZ	82mA MAX 500V,50HZ
TEST VOLTAGE	LINE TO LINE	1450V DC	1450V DC	1450V DC
	LINE TO GROUND	2250V DC	2250V DC	2250V DC
INSULATION RESISTANCE	100M ohm MIN 500VDC	100M ohm MIN 500VDC	100M ohm MIN 500VDC	100M ohm MIN 500VDC
DIRECT CURRENT RESISTANCE	0.04 ohm MAX	0.04 ohm MAX	0.04 ohm MAX	0.04 ohm MAX
TEMPERATURE RISE	30C MAX	30C MAX	30C MAX	30C MAX
OPERATING TEMPERATURE	-25 ~ +85C	-25 ~ +85C	-25 ~ +85C	-25 ~ +85C
CX	2.2uF*6	2.2uF*6	2.2uF*6	2.2uF*6
CY	30000pF*3	30000pF*3	30000pF*3	30000pF*3
INDUCTANCE	0.8mH*6	0.35mH*6	0.09mH*6	0.07mH*6

3. NOISE ATTENUATION (dB)

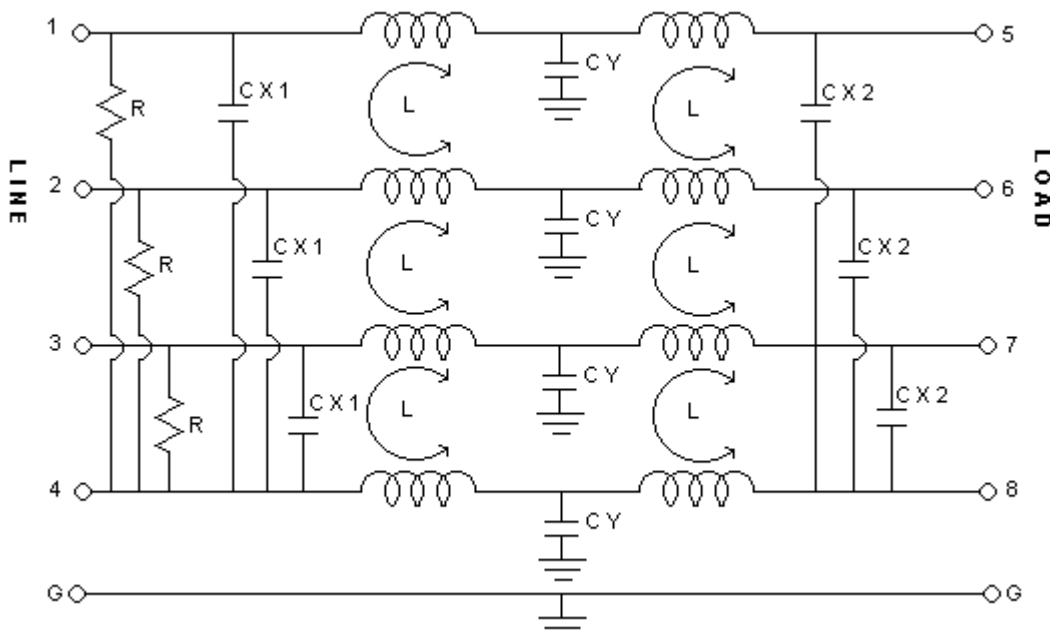
COMMON MODE (LINE TO GROUND) IN 50 OHM SYSTEM							
TYPE	CURRENT RATING	FREQUENCY-MHZ					
		0.15	0.5	1.0	5.0	10.0	30.0
YP60T8	60A	41	46	45	44	42	21
YP80T10	80A	41	46	47	41	36	21
YP100T10	100A	15	36	43	41	32	19
YP150T12	150A	38	40	33	28	22	15
DIFFERENTIAL MODE (LINE TO LINE) IN 50 OHM SYSTEM							
YP60T8	60A	42	45	46	42	38	25
YP80T10	80A	60	48	49	43	38	27
YP100T10	100A	21	41	46	39	34	21
YP150T12	150A	30	47	36	31	25	15

4. CIRCUIT

YP60T8

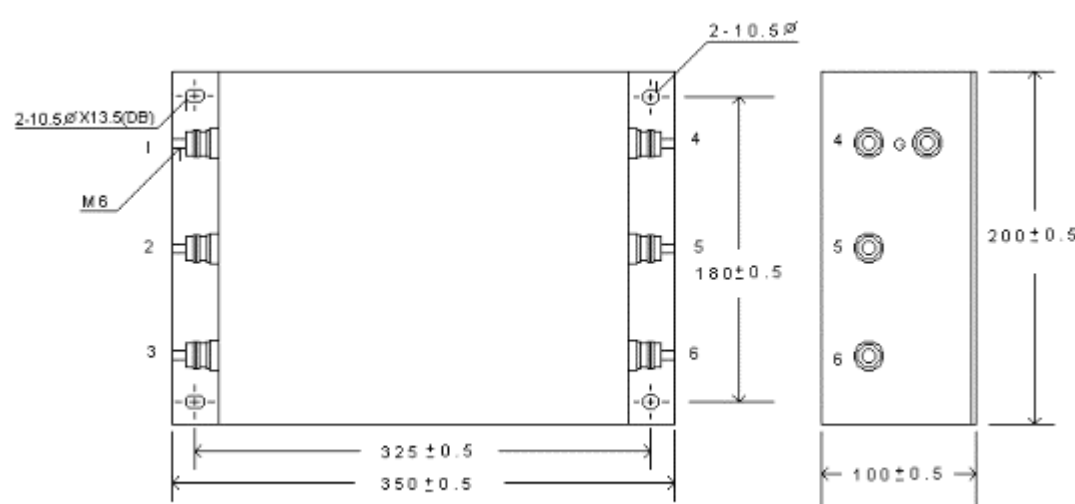


YP150T12

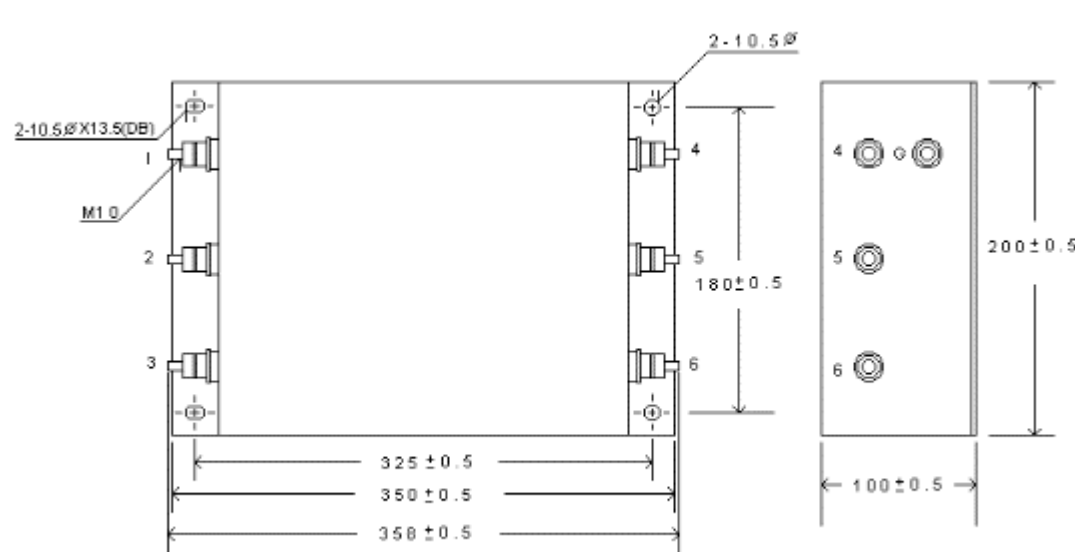


5. DIMENSION(mm)

YP60T8



YP80T10, YP100T10



YP150T12

