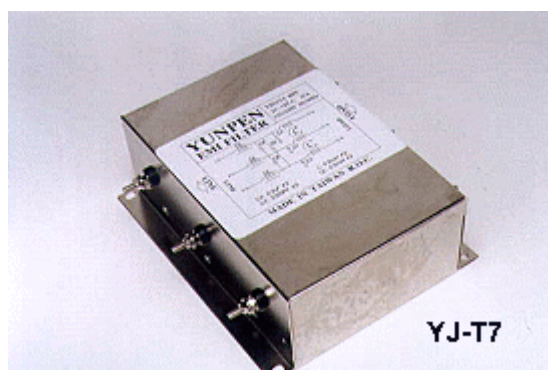


# YUNPEN USA

## YJ-T7 SERIES

### 1. FEATURES

- Good noise attenuation in both forward and reverse directions for common mode and normal mode.
- High reliability designed for industrial equipment usage with ONE phase, 250vac/500vac



YJ-T7

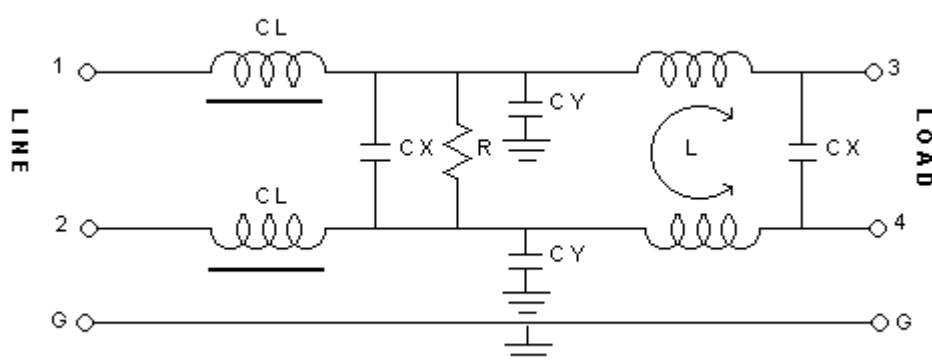
### 2. SPECIFICATIONS

| ITEM \ MODEL              |                        | YJ30T7                 | YJ40T7                 | YJ50T7                 | YJ60T7                 |
|---------------------------|------------------------|------------------------|------------------------|------------------------|------------------------|
| RATED VOLTAGE             |                        | 250V AC                | 250V AC                | 250V AC                | 250V AC                |
| RATED CURRENT             |                        | 30A                    | 40A                    | 50A                    | 60A                    |
| LEAK CURRENT              |                        | 0.8mA MAX<br>250V,50HZ | 0.8mA MAX<br>250V,50HZ | 0.8mA MAX<br>250V,50HZ | 0.8mA MAX<br>250V,50HZ |
| TEST VOLTAGE              | LINE TO LINE           | 1450V DC               | 1450V DC               | 1450V DC               | 1450V DC               |
|                           | LINE TO GROUND         | 2250V DC               | 2250V DC               | 2250V DC               | 2250V DC               |
| INSULATION RESISTANCE     |                        | 100M ohm MIN<br>250VDC | 100M ohm MIN<br>250VDC | 100M ohm MIN<br>250VDC | 100M ohm MIN<br>250VDC |
| DIRECT CURRENT RESISTANCE |                        | 0.08 ohm MAX           | 0.06 ohm MAX           | 0.04 ohm MAX           | 0.03 ohm MAX           |
| TEMPERATURE RISE          |                        | 30C MAX                | 30C MAX                | 30C MAX                | 30C MAX                |
| OPERATING TEMPERATURE     |                        | -25 ~ +85C             | -25 ~ +85C             | -25 ~ +85C             | -25 ~ +85C             |
| ATTENUATION               | NORMAL MODE<br>25dbMIN | 0.60 ~ 45MHZ           | 0.80 ~ 50MHZ           | 0.80 ~ 50MHZ           | 1.00 ~ 50MHZ           |
|                           | COMMON MODE<br>25dbMIN | 0.10 ~ 40MHZ           | 0.20 ~ 50MHZ           | 0.40 ~ 50MHZ           | 1.00 ~ 50MHZ           |
| CX                        |                        | 0.2uF*2                | 0.2uF*2                | 0.2uF*2                | 0.2uF*2                |
| CY                        |                        | 3300pF*2               | 3300pF*2               | 3300pF*2               | 3300pF*2               |
| INDUCTANCE                |                        | (3.7+0.35)mH*2         | (2.6+0.35)mH*2         | (1.7+0.11)mH*2         | (1.2+0.11)mH*2         |

### 3. NOISE ATTENUATION (dB)

| COMMON MODE (LINE TO GROUND) IN 50 OHM SYSTEM     |                |               |     |     |     |      |      |
|---|----------------|---------------|-----|-----|-----|------|------|
| TYPE  | CURRENT RATING | FREQUENCY-MHZ |     |     |     |      |      |
|   |                | 0.15          | 0.5 | 1.0 | 5.0 | 10.0 | 30.0 |
| YJ30T7  | 30A            | 17            | 59  | 66  | 59  | 46   | 43   |
| YJ40T7  | 40A            | 15            | 55  | 60  | 59  | 52   | 31   |
| YJ50T7  | 50A            | 16            | 42  | 48  | 51  | 49   | 36   |
| YJ60T7  | 60A            | 14            | 28  | 34  | 47  | 46   | 27   |
| DIFFERENTIAL MODE (LINE TO LINE) IN 50 OHM SYSTEM |                |               |     |     |     |      |      |
| YJ30T7  | 30A            | 22            | 65  | 66  | 61  | 56   | 37   |
| YJ40T7  | 40A            | 27            | 62  | 66  | 64  | 57   | 36   |
| YJ50T7  | 50A            | 15            | 49  | 53  | 57  | 50   | 30   |
| YJ60T7  | 60A            | 17            | 32  | 39  | 51  | 48   | 31   |

### 4. CIRCUIT



### 5. DIMENSION (mm)

#### YJ30T7~YJ60T7

