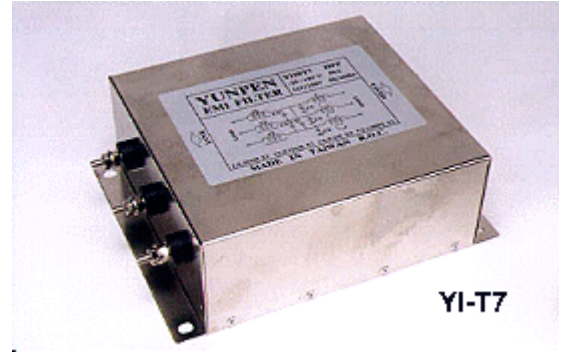


# YUNPEN USA

## YI-T7 SERIES

### 1. FEATURES

- Good noise attenuation in both forward and reverse directions for common mode and normal mode.
- High reliability designed for industrial equipment usage with 3 phases, 250vac/500vac



YI-T7

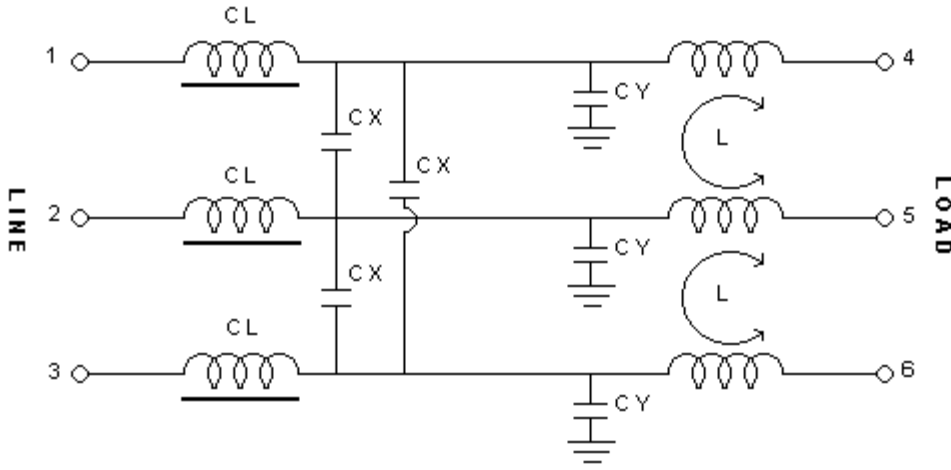
### 2. SPECIFICATIONS

ITEM \ MODEL		YI40T7/YI40T7-1	YI50T7/YI50T7-1	YI60T7/YI60T7-1
RATED VOLTAGE		250V AC/500V AC	250V AC/500V AC	250V AC/500V AC
RATED CURRENT		40A	50A	60A
LEAK CURRENT		1.3mA MAX 250V,50HZ 3.0mA MAX 500V,50HZ	1.3mA MAX 250V,50HZ 3.0mA MAX 500V,50HZ	1.3mA MAX 250V,50HZ 3.0mA MAX 500V,50HZ
TEST VOLTAGE	LINE TO LINE	1450V DC	1450V DC	1450V DC
	LINE TO GROUND	2250V DC	2250V DC	2250V DC
INSULATION RESISTANCE		100M ohm MIN 250VDC 100M ohm MIN 500VDC	100M ohm MIN 250VDC 100M ohm MIN 500VDC	100M ohm MIN 250VDC 100M ohm MIN 500VDC
DIRECT CURRENT RESISTANCE		0.08 ohm MAX	0.06 ohm MAX	0.04 ohm MAX
TEMPERATURE RISE		30C MAX	30C MAX	30C MAX
OPERATING TEMPERATURE		-25 ~ +85C	-25 ~ +85C	-25 ~ +85C
ATTENUATION	NORMAL MODE 25dbMIN	0.14 ~ 50MHZ	0.17 ~ 50MHZ	0.30 ~ 9.5MHZ
	COMMON MODE 25dbMIN	0.25 ~ 50MHZ	0.31 ~ 50MHZ	0.42 ~ 50MHZ
CX		0.2uF*3	0.2uF*3	0.2uF*3
CY		3300pF*3	3300pF*3	3300pF*3
INDUCTANCE		(0.93+0.25)mH*3	(0.73+0.11)mH*3	(0.41+0.11)mH*3

### 3. NOISE ATTENUATION (dB)

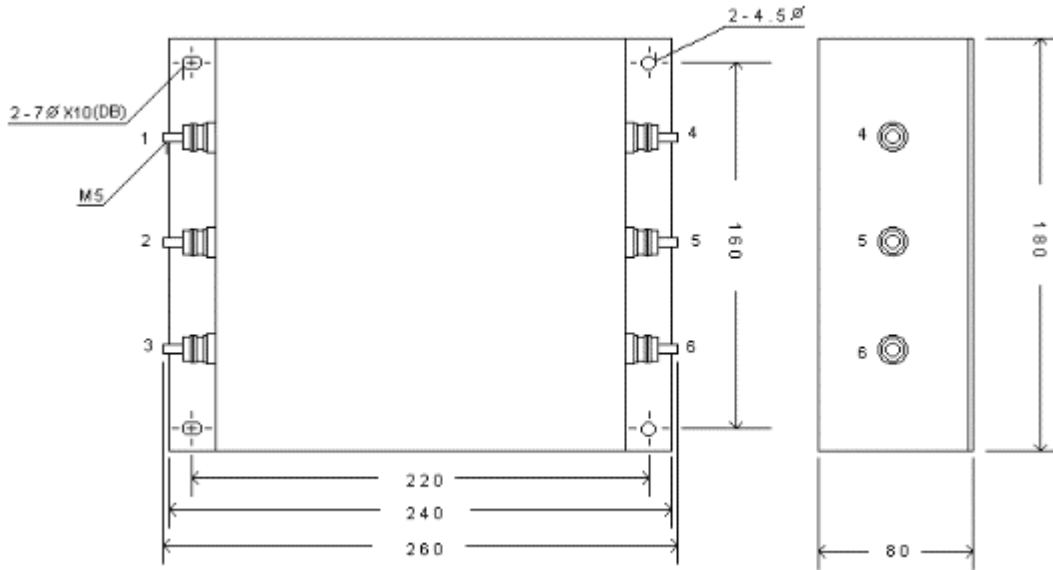
COMMON MODE (LINE TO GROUND) IN 50 OHM SYSTEM							
TYPE	CURRENT	FREQUENCY-MHZ					
	RATING	0.15	0.5	1.0	5.0	10.0	30.0
YI40T7	40A	12	52	55	44	38	28
YI50T7	50A	8	33	38	43	39	28
YI60T7	60A	9	35	42	48	34	29
DIFFERENTIAL MODE (LINE TO LINE) IN 50 OHM SYSTEM							
YI40T7	40A	17	51	63	47	40	36
YI50T7	50A	13	37	45	51	49	21
YI60T7	60A	15	38	44	48	43	23

### 4. CIRCUIT



### 5. DIMENSION (mm)

#### YI40T7~YI60T7



#### YI40T7-1~YI60T7-1

