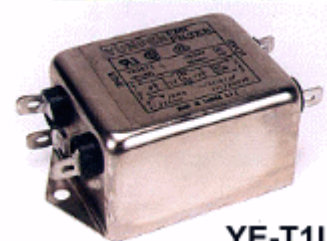


# YUNPEN USA

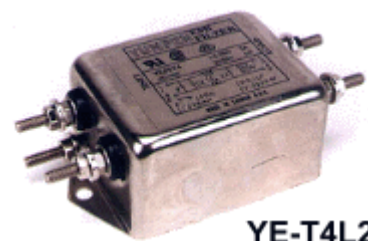
## YE-T1L2, YE-T4L2 SERIES

### 1. FEATURES

- Two stage filters designed to provide high performance in suppressing both line-to-line and line-to-ground noise for most digital electronic equipment
- 250 Fasten terminals (YE-T1L2)
- Screw output terminals M-4 (YE-T4L2)
- All parts of YE-T1L2 and YE-T4L2 are approved by **UL**, **CSA** and **VDE**



YE-T1L2



YE-T4L2

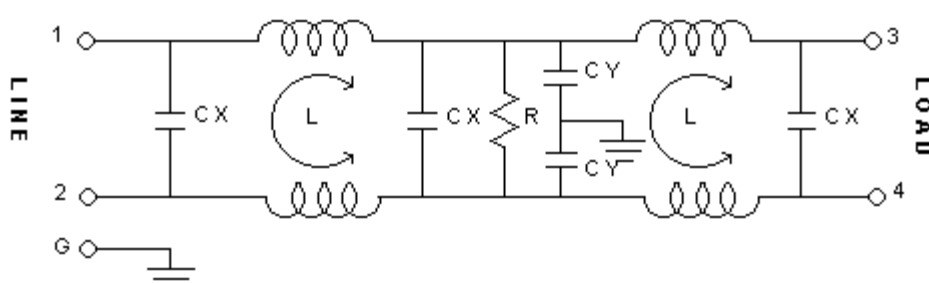
### 2. SPECIFICATIONS

| ITEM \ MODEL              |                        | YE05T1L2/YE05T4L2      | YE10T1L2/YE10T4L2      | YE15T1L2/YE15T4L2      | YE20T1L2/YEA20T4L2     |
|---------------------------|------------------------|------------------------|------------------------|------------------------|------------------------|
| RATED VOLTAGE             |                        | 250V AC                | 250V AC                | 250V AC                | 250V AC                |
| RATED CURRENT             |                        | 5A                     | 10A                    | 15A                    | 20A                    |
| LEAK CURRENT              |                        | 0.8mA MAX<br>250V,50HZ | 0.8mA MAX<br>250V,50HZ | 0.8mA MAX<br>250V,50HZ | 0.8mA MAX<br>250V,50HZ |
| TEST VOLTAGE              | LINE TO LINE           | 1450V DC               | 1450V DC               | 1450V DC               | 1450V DC               |
|                           | LINE TO GROUND         | 2250V DC               | 2250V DC               | 2250V DC               | 2250V DC               |
| INSULATION RESISTANCE     |                        | 100M ohm MIN<br>250VDC | 100M ohm MIN<br>250VDC | 100M ohm MIN<br>250VDC | 100M ohm MIN<br>250VDC |
| DIRECT CURRENT RESISTANCE |                        | 0.3 ohm MAX            | 0.15 ohm MAX           | 0.1 ohm MAX            | 0.05 ohm MAX           |
| TEMPERATURE RISE          |                        | 30C MAX                | 30C MAX                | 30C MAX                | 30C MAX                |
| OPERATING TEMPERATURE     |                        | -25 ~ +85C             | -25 ~ +85C             | -25 ~ +85C             | -25 ~ +85C             |
| ATTENUATION               | NORMAL MODE<br>25dbMIN | 0.25 ~ 12MHZ           | 0.33 ~ 13MHZ           | 0.61 ~ 50MHZ           | 0.68 ~ 50MHZ           |
|                           | COMMON MODE<br>25dbMIN | 0.10 ~ 10MHZ           | 0.26 ~ 11MHZ           | 0.40 ~ 48MHZ           | 0.40 ~ 50MHZ           |
| CX                        |                        | 0.1uF*3                | 0.1uF*3                | 0.1uF*3                | 0.1uF*3                |
| CY                        |                        | 3300pF*2               | 3300pF*2               | 3300pF*2               | 3300pF*2               |
| INDUCTANCE                |                        | 5mH*2                  | 1.2mH*2                | 0.9mH*2                | 0.5mH*2                |

### 3. NOISE ATTENUATION (dB)

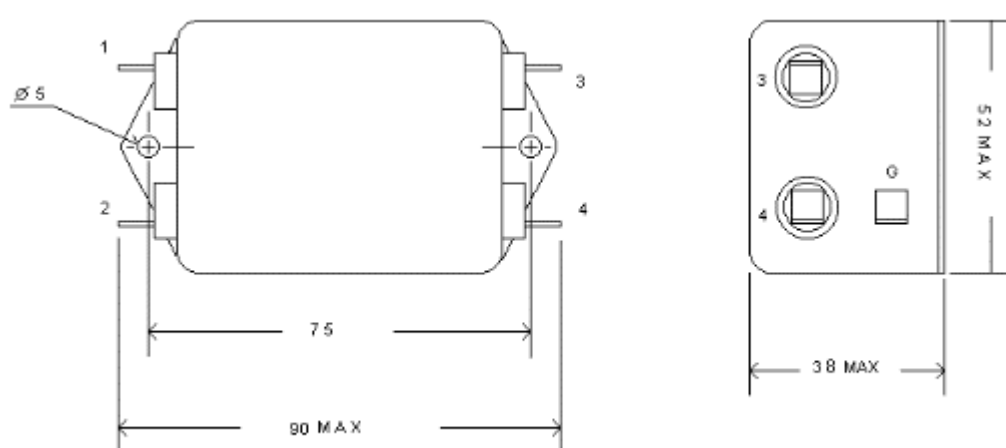
| COMMON MODE (LINE TO GROUND) IN 50 OHM SYSTEM     |                |               |     |     |     |      |      |
|---|----------------|---------------|-----|-----|-----|------|------|
| TYPE  | CURRENT RATING | FREQUENCY-MHZ |     |     |     |      |      |
|   |                | 0.15          | 0.5 | 1.0 | 5.0 | 10.0 | 30.0 |
| YE05T1L2/YE05T4L2                                 | 5A             | 53            | 84  | 70  | 58  | 53   | 51   |
| YE10T1L2/YE10T4L2                                 | 10A            | 26            | 63  | 76  | 66  | 62   | 42   |
| YE15T1L2/YE15T4L2                                 | 15A            | 28            | 57  | 68  | 67  | 63   | 46   |
| YE20T1L2/YE20T4L2                                 | 20A            | 14            | 39  | 49  | 63  | 59   | 38   |
| DIFFERENTIAL MODE (LINE TO LINE) IN 50 OHM SYSTEM |                |               |     |     |     |      |      |
| YE05T1L2/YE05T4L2                                 | 5A             | 7             | 57  | 58  | 57  | 52   | 48   |
| YE10T1L2/YE10T4L2                                 | 10A            | 8             | 77  | 72  | 62  | 57   | 53   |
| YE15T1L2/YE15T4L2                                 | 15A            | 15            | 33  | 60  | 59  | 56   | 61   |
| YE20T1L2/YE20T4L2                                 | 20A            | 13            | 25  | 57  | 64  | 57   | 45   |

### 4. CIRCUIT



### 5. DIMENSION(mm)

#### YE05T1L2~YE20T1L2



#### YE05T4L2~YE20T4L2

