

YUNPEN USA

YBC-T1, YBC-T3 SERIES

1. FEATURES

- General purpose filter with IEC Connector providing effective line-to-ground noise up to 10 amp., 250VAC
- Low cost
- Compact design
- 250 Fasten terminals (YBC-T1)
- Lolder lug terminals (YBC-T3)
- All parts are approved by **UL, CSA and VDE**



YBC-T1



YBC-T3

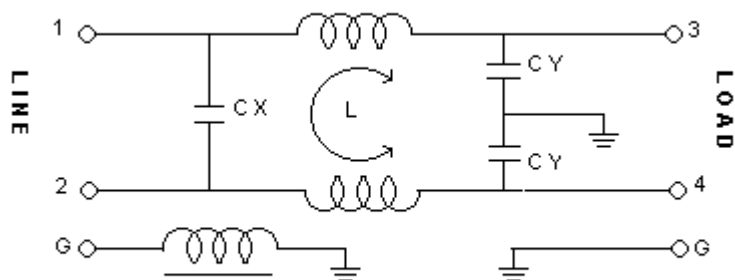
2. SPECIFICATIONS

ITEM \ MODEL		YBC01T1/YBC01T3	YBC03T1/YBC03T3	YBC06T1/YBC06T3	YBC10T1/YBC10T3
RATED VOLTAGE		250V AC	250V AC	250V AC	250V AC
RATED CURRENT		1A	3A	6A	10A
LEAK CURRENT		0.8mA MAX 250V,50HZ	0.8mA MAX 250V,50HZ	0.8mA MAX 250V,50HZ	0.8mA MAX 250V,50HZ
TEST VOLTAGE	LINE TO LINE	1450V DC	1450V DC	1450V DC	1450V DC
	LINE TO GROUND	2250V DC	2250V DC	2250V DC	2250V DC
INSULATION RESISTANCE		100M ohm MIN 250VDC	100M ohm MIN 250VDC	100M ohm MIN 250VDC	100M ohm MIN 250VDC
DIRECT CURRENT RESISTANCE		0.5 ohm MAX	0.2 ohm MAX	0.15 ohm MAX	0.1 ohm MAX
TEMPERATURE RISE		30C MAX	30C MAX	30C MAX	30C MAX
OPERATING TEMPERATURE		-25 ~ +85C	-25 ~ +85C	-25 ~ +85C	-25 ~ +85C
ATTENUATION	NORMAL MODE 25dbMIN	0.50 ~ 45MHZ	0.60 ~ 50MHZ	0.80 ~ 50MHZ	1.20 ~ 50MHZ
	COMMON MODE 25dbMIN	0.10 ~ 40MHZ	0.15 ~ 50MHZ	0.40 ~ 50MHZ	1.40 ~ 50MHZ

3. NOISE ATTENUATION (dB)

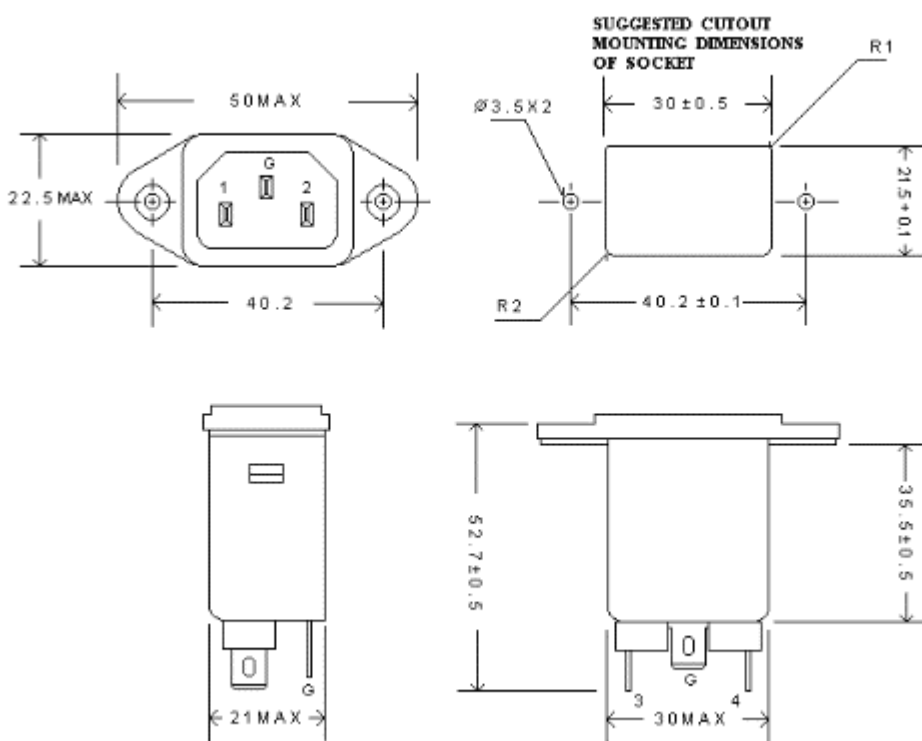
COMMON MODE (LINE TO GROUND) IN 50 OHM SYSTEM							
TYPE	CURRENT RATING	FREQUENCY-MHZ					
		0.15	0.5	1.0	5.0	10.0	30.0
YBC01T1/YBC01T3	1A	25	33	36	44	36	21
YBC03T1/YBC03T3	3A	20	30	35	43	37	22
YBC06T1/YBC06T3	6A	13	21	26	42	40	25
YBC10T1/YBC10T3	10A	6	13	17	36	40	25
DIFFERENTIAL MODE (LINE TO LINE) IN 50 OHM SYSTEM							
YBC01T1/YBC01T3	1A	7	18	23	41	38	25
YBC03T1/YBC03T3	3A	7	17	21	40	37	26
YBC06T1/YBC06T3	6A	6	15	21	38	37	29
YBC10T1/YBC10T3	10A	4	13	17	30	36	29

4. CIRCUIT



5. DIMENSION (mm)

YBC01T1~YBC10T1



YBC01T3~YBC10T3

